



HYDRO-LEK

REMOTE HANDLING SPECIALISTS

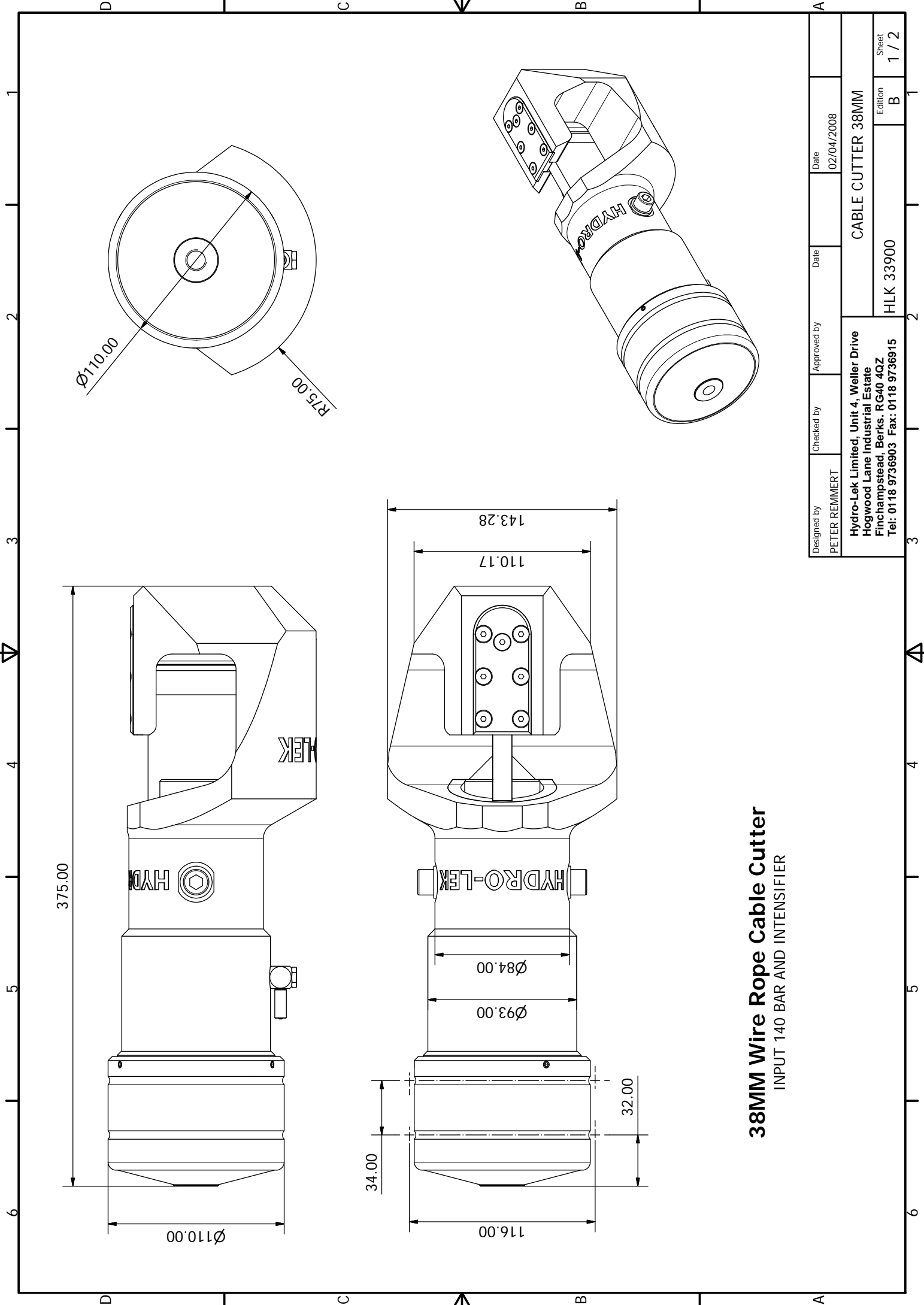


HLK-33900 Cutter:

The HLK-33900 Cutter is a compact hydraulic ram cutter constructed from 316 & 17-4PH stainless steel and is capable of cutting 38mm diameter STAINLESS STEEL wire rope. It can be mounted in a frame which can be bolted to the HD & RHD series Hydro-Lek Manipulator Arm Slew Mount. Alternatively it can be mounted into a "T Handle" frame so that it can be held in a standard manipulator jaw.

Specification:

Dimensions	Length	375mm
	Height	130mm
	Width	143mm
Function	Cutting Stainless Steel Wire Rope	38mm
Weight	Weight in air	17.5Kg
	Weight in water	15.0Kg
Construction		316 & 17-4PH Stainless Steel
Hydraulics	Nominal Pressure to cut 38mm Wire Rope (Supplied via intensifier)	560BAR
Ports		Hydro-Lek Banjo Fittings



38MM Wire Rope Cable Cutter
 INPUT 140 BAR AND INTENSIFIER

Designed by PETER REMMERT	Checked by	Approved by	Date 02/04/2008	A
Hydro-Lek Limited, Unit 4, Weller Drive Hogwood Lane Industrial Estate Finchampstead, Berks. RG40 4QZ Tel: 0118 9736903 Fax: 0118 9736915			HILK 33900	2
CABLE CUTTER 38MM			Edition B	1
			Sheet 1 / 2	6