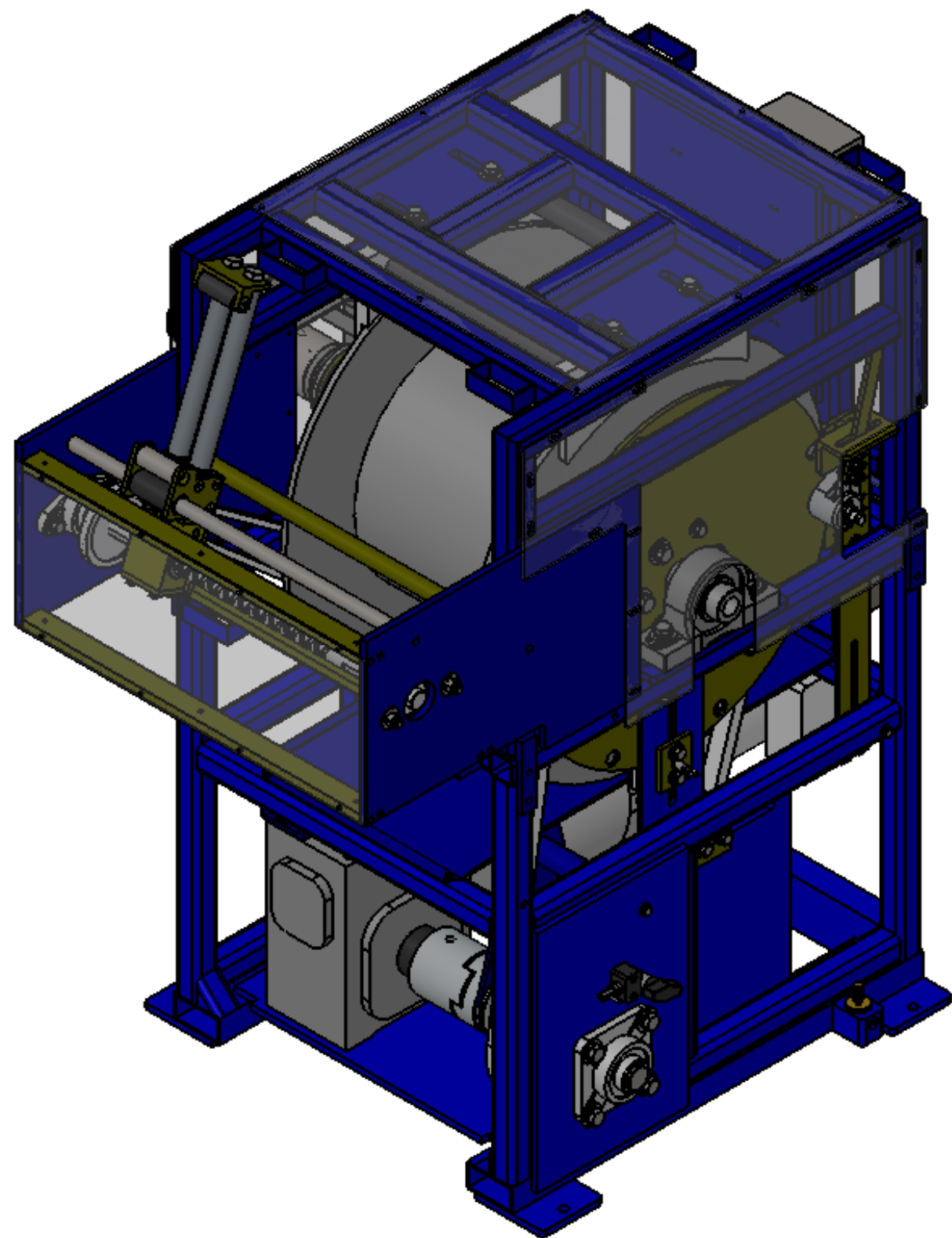
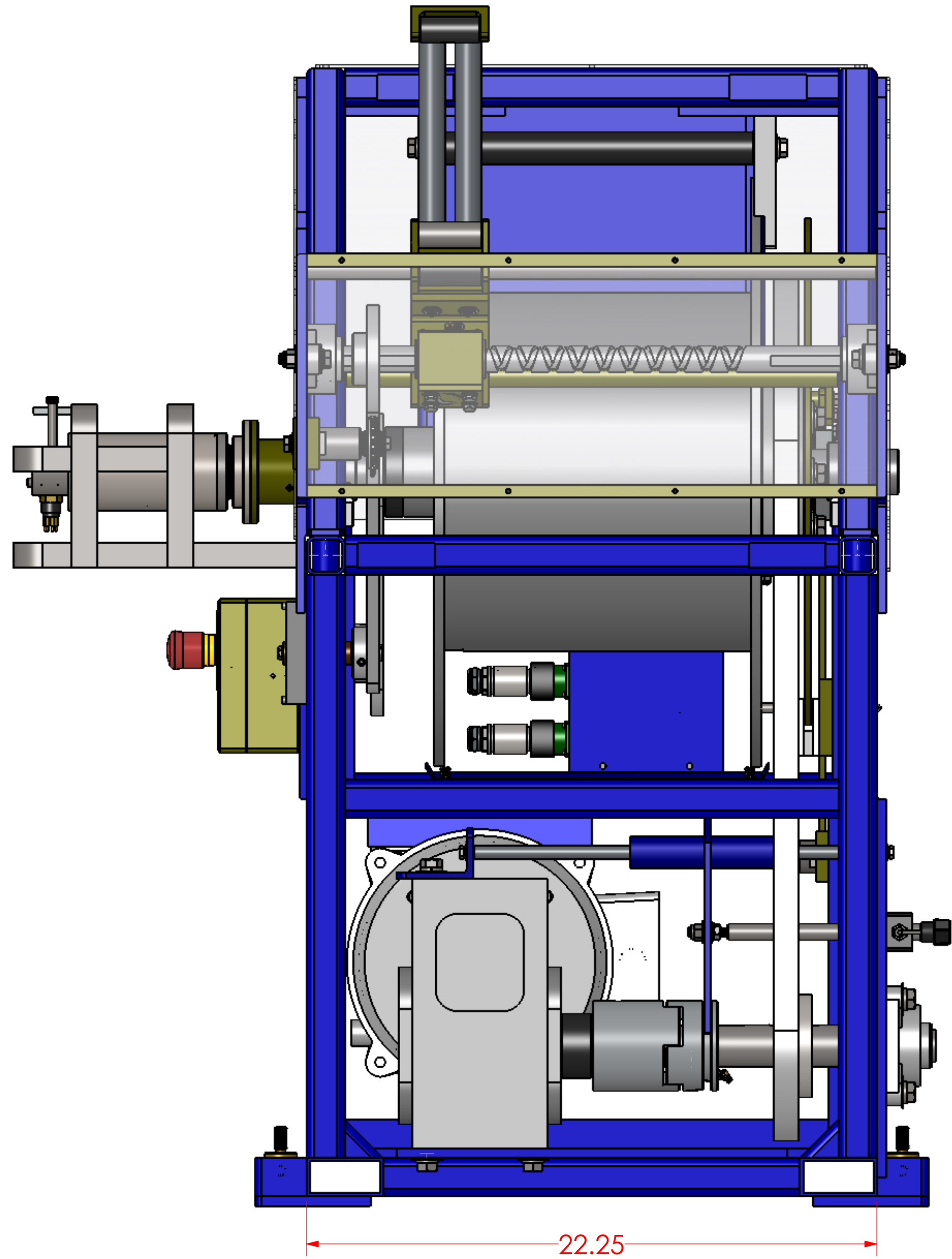


Items	Spec.
Drum Size (Flange x Core x Width):	23" x 14" x 16"
Motor:	LEESON 3HP 1750RPM PREMIUM STAINLESS STEEL 230VAC 3PH MOTOR (132206)
Gearbox:	LEESN 832 (30:1)
Drive Sprocket:	60B28
Drum Sprocket:	60A60
Cable Size:	380m of 8.2mm Rochester Coax Cable
Levelwind Drum Sprocket:	35A35
Levelwind Gearbox Input Sprocket:	35B36
Levelwind Gearbox Output Sprocket:	35B23 (Factory Installed) / 35B24 (Spare)
Reversing Screw Sprocket:	35B32 (Factor Installed)
Emergency Stop Switch:	YES (LED EMERGENCY STOP SWITCH)
Electric Brake:	LEESON 25FT-LB WASHGUARD COUPLER BRAKE (175586)
Slip Ring:	AGO-SR08MCBH 316 SS with MCBH8 Connectors (2015 Design)
Revision Note :	15m extended Joystick Cable with dual LED, Bearing Upgrade
Winch S/N:	
Winch Weight (lbs.):	484.485



UNLESS OTHERWISE SPECIFIED:		NAME	DATE	A.G.O Environmental Electronics Victoria, B.C. Canada, V9A 3L4
DIMENSIONS ARE IN INCHES		DRAWN	Donald Lo	Apr 22, 2015
TOLERANCES:		CHECKED		
FRACTIONAL: ± 1/16		ENG APPR.		
ANGULAR: MACH ± 1° BEND ± 1°		MFG APPR.		
TWO PLACE DECIMAL: ± .01		Q.A.		
THREE PLACE DECIMAL: ± .001		COMMENTS:		
MATERIAL:				
FINISH:				
DO NOT SCALE DRAWING				
TITLE:		CSW 7 ASSEMBLY (GSE RENTAL) (DRUM CAGE SETUP 2015)		
SIZE	DWG. NO.	REV		
C	CSW7-110A			
SCALE: 1:1			SHEET 1 OF 6	

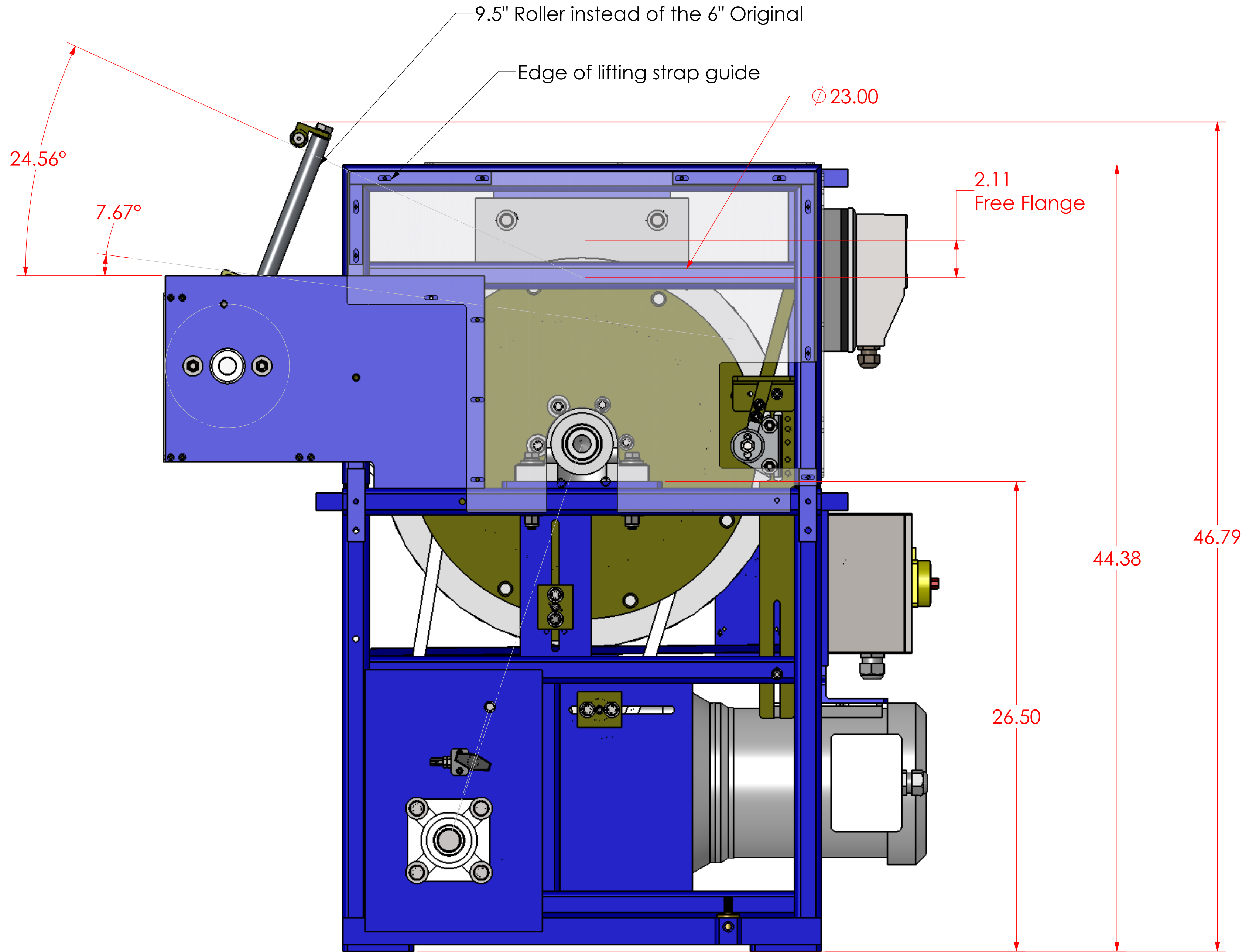


UNLESS OTHERWISE SPECIFIED:
 DIMENSIONS ARE IN INCHES
 TOLERANCES:
 FRACTIONAL: ± 1/16
 ANGULAR: MACH ± 1° BEND ± 1°
 TWO PLACE DECIMAL: ± .01
 THREE PLACE DECIMAL: ± .001

MATERIAL:
 FINISH:
 DO NOT SCALE DRAWING

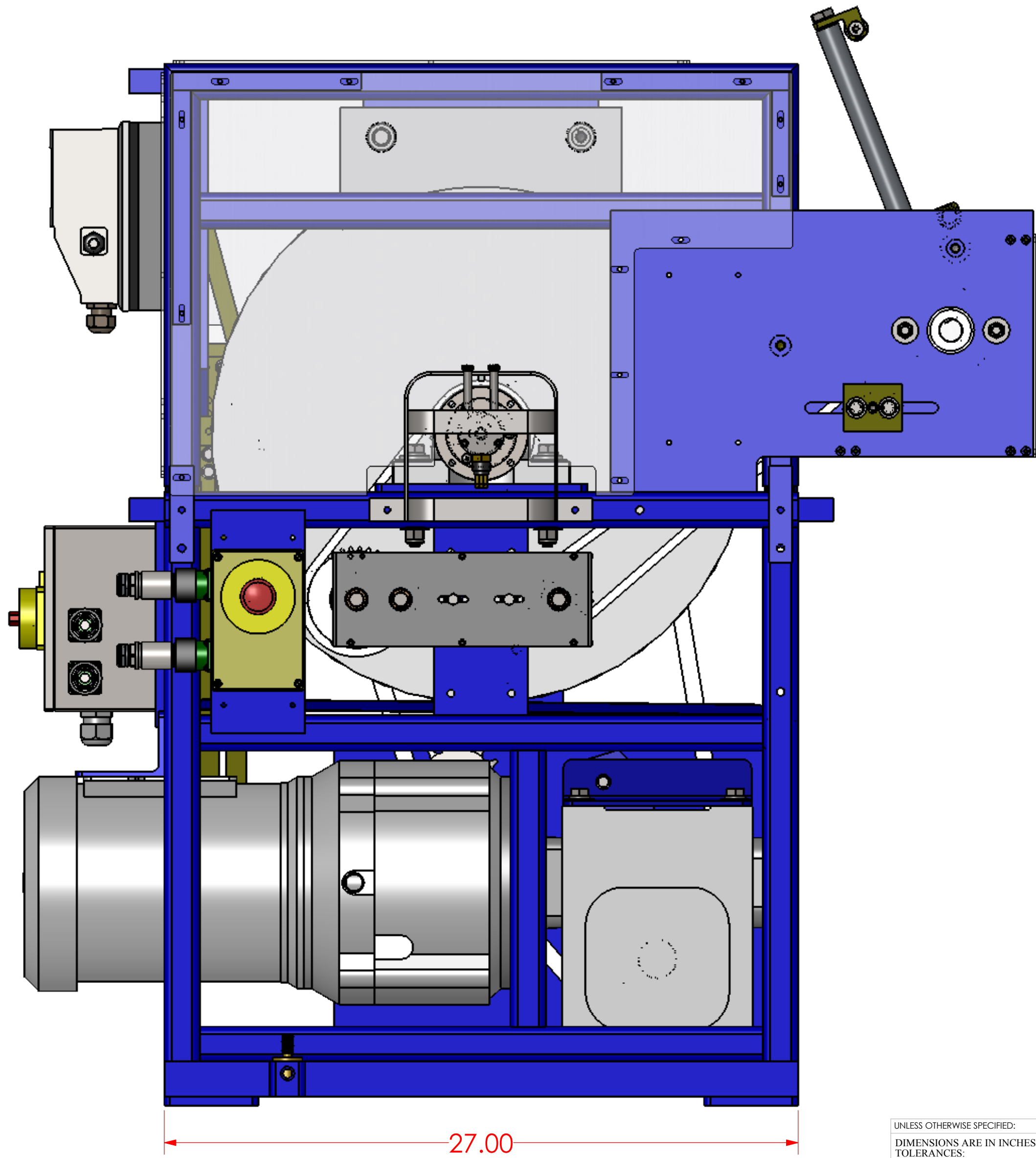
NAME	DATE
DRAWN Donald Lo	Apr 22, 2015
CHECKED	
ENG APPR.	
MFG APPR.	
Q.A.	
COMMENTS:	

A.G.O Environmental Electronics Victoria, B.C. Canada, V9A 3L4		
TITLE: CSW 7 ASSEMBLY (FRONT VIEW) (GSE RENTAL) (DRUM CAGE SETUP 2015)		
SIZE	DWG. NO.	REV
C	CSW7-110A	
SCALE: 1:1	SHEET 2 OF 6	



NOTE:
 1. LEVEL WIND ROLLER ARE REMOVED DURING SHIPPING

UNLESS OTHERWISE SPECIFIED:		NAME	DATE	A.G.O Environmental Electronics Victoria, B.C. Canada, V9A 3L4
DIMENSIONS ARE IN INCHES		DRAWN	Donald Lo	
TOLERANCES:		CHECKED		TITLE: CSW 7 ASSEMBLY (RIGHT VIEW) (GSE RENTAL) (DRUM CAGE SETUP 2015)
FRACTIONAL: ± 1/16		ENG APPR.		
ANGULAR: MACH ± 1° BEND ± 1°		MFG APPR.		
TWO PLACE DECIMAL: ± .01		Q.A.		
THREE PLACE DECIMAL: ± .001		COMMENTS:		SIZE DWG. NO. REV
MATERIAL:				C CSW7-110A
FINISH:				SCALE: 1:1 SHEET 3 OF 6
DO NOT SCALE DRAWING				



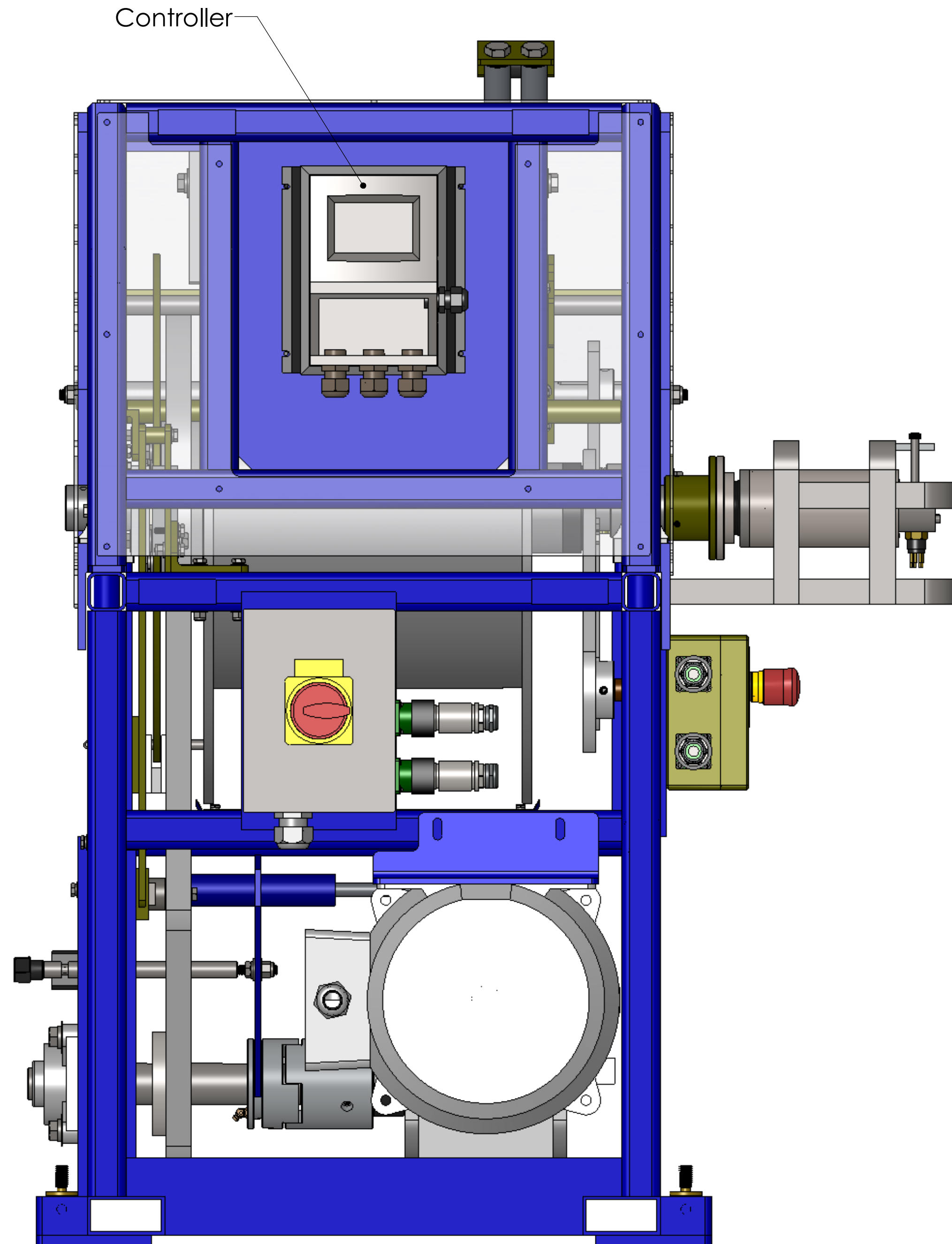
27.00

UNLESS OTHERWISE SPECIFIED:
 DIMENSIONS ARE IN INCHES
 TOLERANCES:
 FRACTIONAL: ± 1/16
 ANGULAR: MACH ± 1° BEND ± 1°
 TWO PLACE DECIMAL: ± .01
 THREE PLACE DECIMAL: ± .001

MATERIAL:
 FINISH:
 DO NOT SCALE DRAWING

	NAME	DATE
DRAWN	Donald Lo	Apr 22, 2015
CHECKED		
ENG APPR.		
MFG APPR.		
Q.A.		
COMMENTS:		

A.G.O Environmental Electronics Victoria, B.C. Canada, V9A 3L4		
TITLE: CSW 7 ASSEMBLY (LEFT VIEW) (GSE RENTAL) (DRUM CAGE SETUP 2015)		
SIZE	DWG. NO.	REV
C	CSW7-110A	
SCALE: 1:1		SHEET 4 OF 6



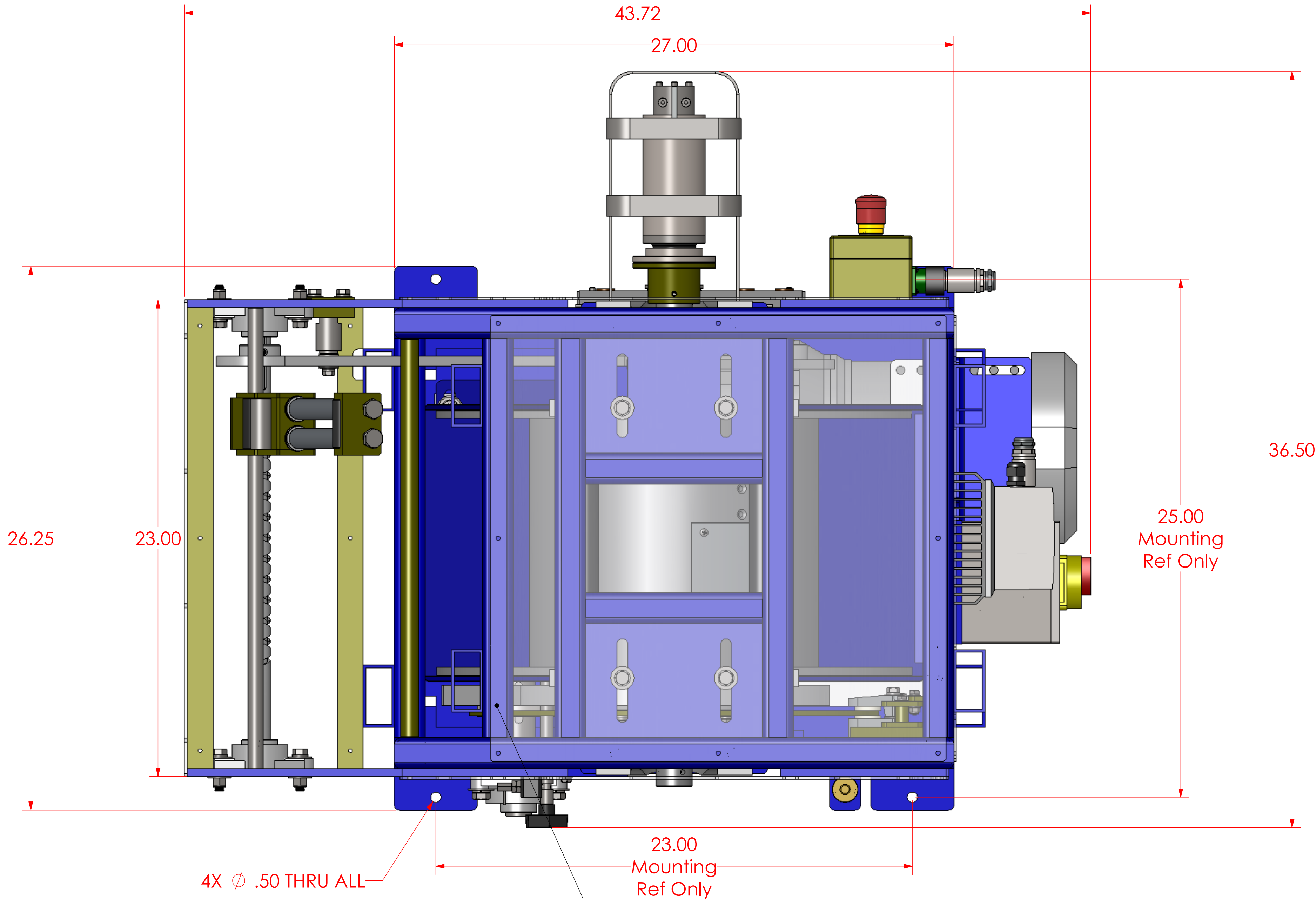
Controller

UNLESS OTHERWISE SPECIFIED:
 DIMENSIONS ARE IN INCHES
 TOLERANCES:
 FRACTIONAL: ± 1/16
 ANGULAR: MACH ± 1° BEND ± 1°
 TWO PLACE DECIMAL: ± .01
 THREE PLACE DECIMAL: ± .001

MATERIAL:
 FINISH:
 DO NOT SCALE DRAWING

NAME	DATE
DRAWN Donald Lo	Apr 22, 2015
CHECKED	
ENG APPR.	
MFG APPR.	
Q.A.	
COMMENTS:	

A.G.O Environmental Electronics Victoria, B.C. Canada, V9A 3L4		
TITLE: CSW 7 ASSEMBLY (BACK VIEW) (GSE RENTAL) (DRUM CAGE SETUP 2015)		
SIZE	DWG. NO.	REV
C	CSW7-110A	
SCALE: 1:1		SHEET 5 OF 6



UNLESS OTHERWISE SPECIFIED:
 DIMENSIONS ARE IN INCHES
 TOLERANCES:
 FRACTIONAL: ± 1/16
 ANGULAR: MACH ± 1° BEND ± 1°
 TWO PLACE DECIMAL: ± .01
 THREE PLACE DECIMAL: ± .001

MATERIAL:
 FINISH:

DO NOT SCALE DRAWING

NAME	DATE
DRAWN Donald Lo	Apr 22, 2015
CHECKED	
ENG APPR.	
MFG APPR.	
Q.A.	
COMMENTS:	

A.G.O Environmental Electronics
 Victoria, B.C. Canada, V9A 3L4

TITLE: CSW 7 ASSEMBLY
 (TOP VIEW)
 (GSE RENTAL)
 (DRUM CAGE SETUP 2015)

SIZE	DWG. NO.	REV
C	CSW7-110A	

SCALE: 1:1 SHEET 6 OF 6