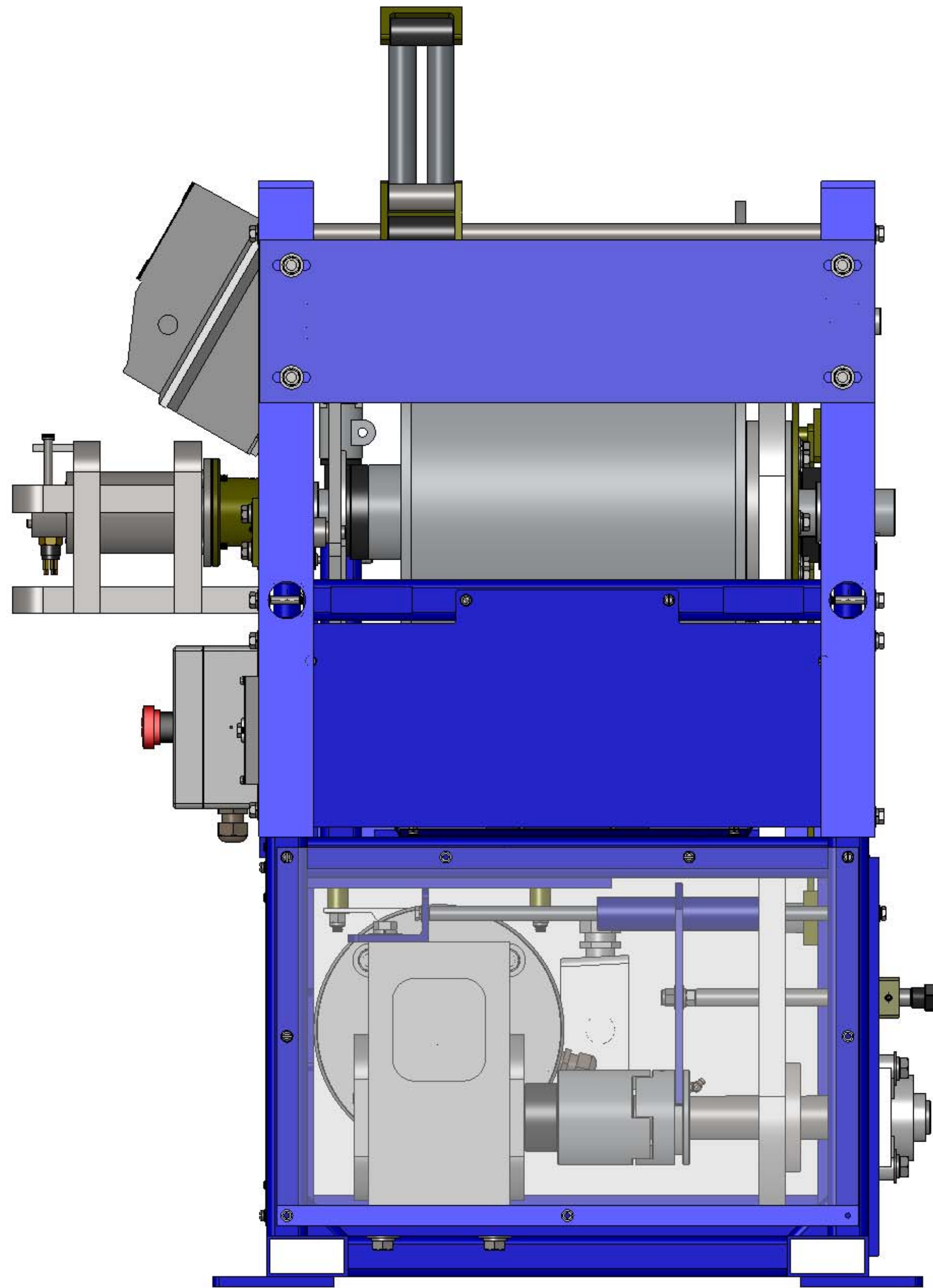


Items	Spec.
Drum Size (Flange x Core x Width):	23" x 14" x 12"
Motor:	LEESON 3HP 1800RPM 230VAC 3-PHASE PREMIUM SS DUCK MOTOR (132206)
Gearbox:	LEESON EL832 (30:1) GEARBOX
Drive Sprocket:	60B28
Drum Sprocket:	60A50
Cable Size:	380m of 8.2mm Rochester Coax Cable
Levelwind Drum Sprocket:	35A35
Levelwind Gearbox Input Sprocket:	35B35
Levelwind Gearbox Output Sprocket:	35B16
Reversing Screw Sprocket:	35B22
Levelwind Gearbox:	2:1 RATIO
Emergency Stop Switch:	YES
Electric Brake:	Ding 15-FT-LB MARINE GRADE COUPLER BRAKE
Slip Ring:	AGO-SR08 316 SS SLIP RING WITH MCBH
Revision Note :	Vector Drive System with Joystick Control
Winch S/N:	
Winch Weight (lbs.):	452.343

UNLESS OTHERWISE SPECIFIED:		NAME	DATE	A.G.O Environmental Electronics Victoria, B.C. Canada, V9A 3L4
DIMENSIONS ARE IN INCHES		DRAWN	Donald Lo	
TOLERANCES:		CHECKED		TITLE: <b>CSW 7 ASSEMBLY (GSE RENTAL) (3HP VECTOR DRIVE)</b>
FRACTIONAL: ± 1/16		ENG APPR.		
ANGULAR: MACH ± 1° BEND ± 1°		MFG APPR.		
TWO PLACE DECIMAL: ± .01		Q.A.		
THREE PLACE DECIMAL: ± .001		COMMENTS:		SIZE DWG. NO. REV
MATERIAL:				<b>C</b> CSW7-110A
FINISH:				SCALE: 1:1 SHEET 1 OF 6
DO NOT SCALE DRAWING				



UNLESS OTHERWISE SPECIFIED:  
 DIMENSIONS ARE IN INCHES  
 TOLERANCES:  
 FRACTIONAL: ± 1/16  
 ANGULAR: MACH ± 1° BEND ± 1°  
 TWO PLACE DECIMAL: ± .01  
 THREE PLACE DECIMAL: ± .001

MATERIAL:

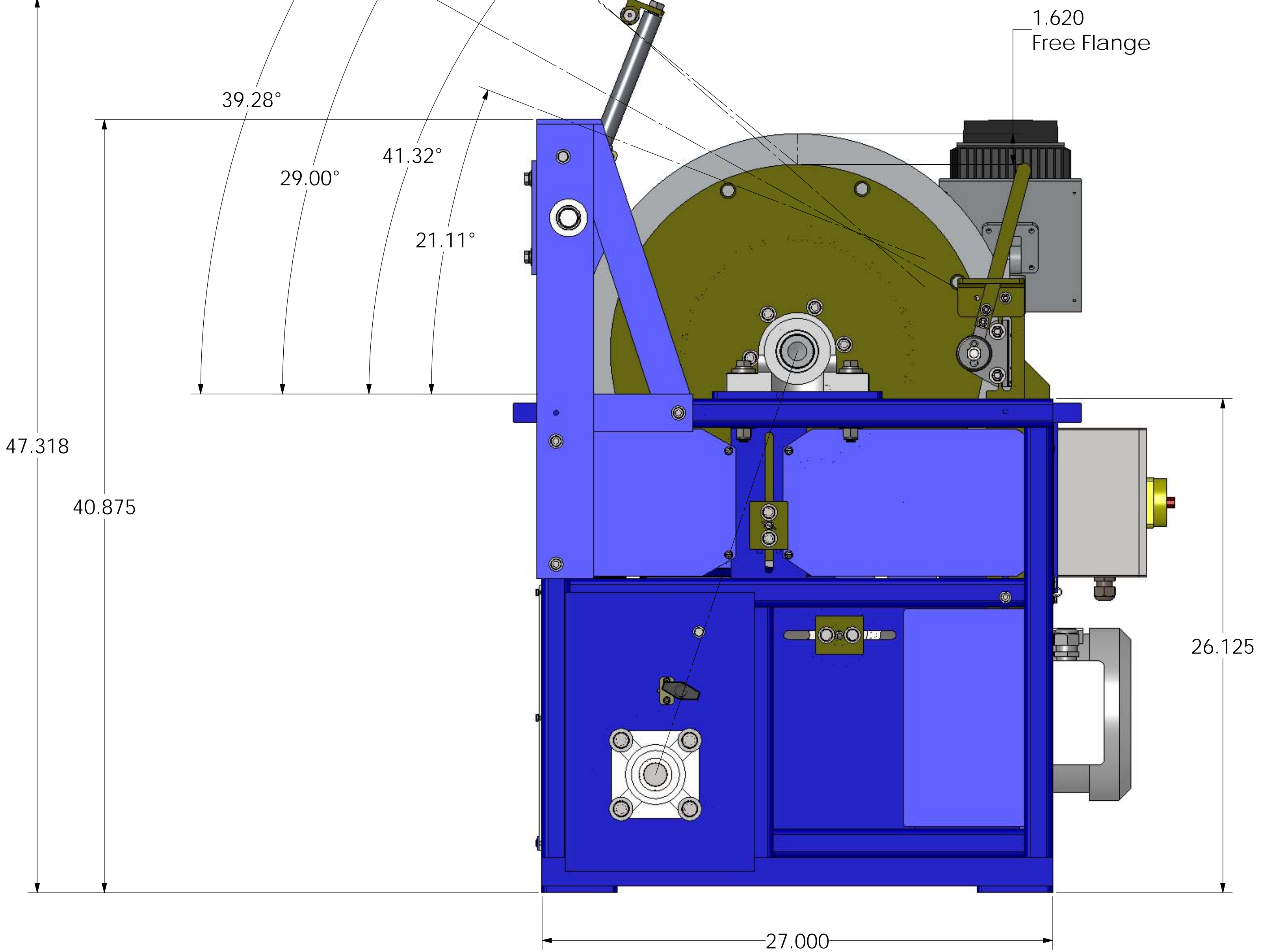
FINISH:

DO NOT SCALE DRAWING

	NAME	DATE
DRAWN	Donald Lo	Oct 04, 2013
CHECKED		
ENG APPR.		
MFG APPR.		
Q.A.		
COMMENTS:		

A.G.O Environmental Electronics Victoria, B.C. Canada, V9A 3L4		
TITLE: CSW 7 ASSEMBLY (FRONT VIEW) (GSE RENTAL) (3HP VECTOR DRIVE)		
SIZE	DWG. NO.	REV
<b>C</b>	CSW7-110A	
SCALE: 1:1		SHEET 2 OF 6



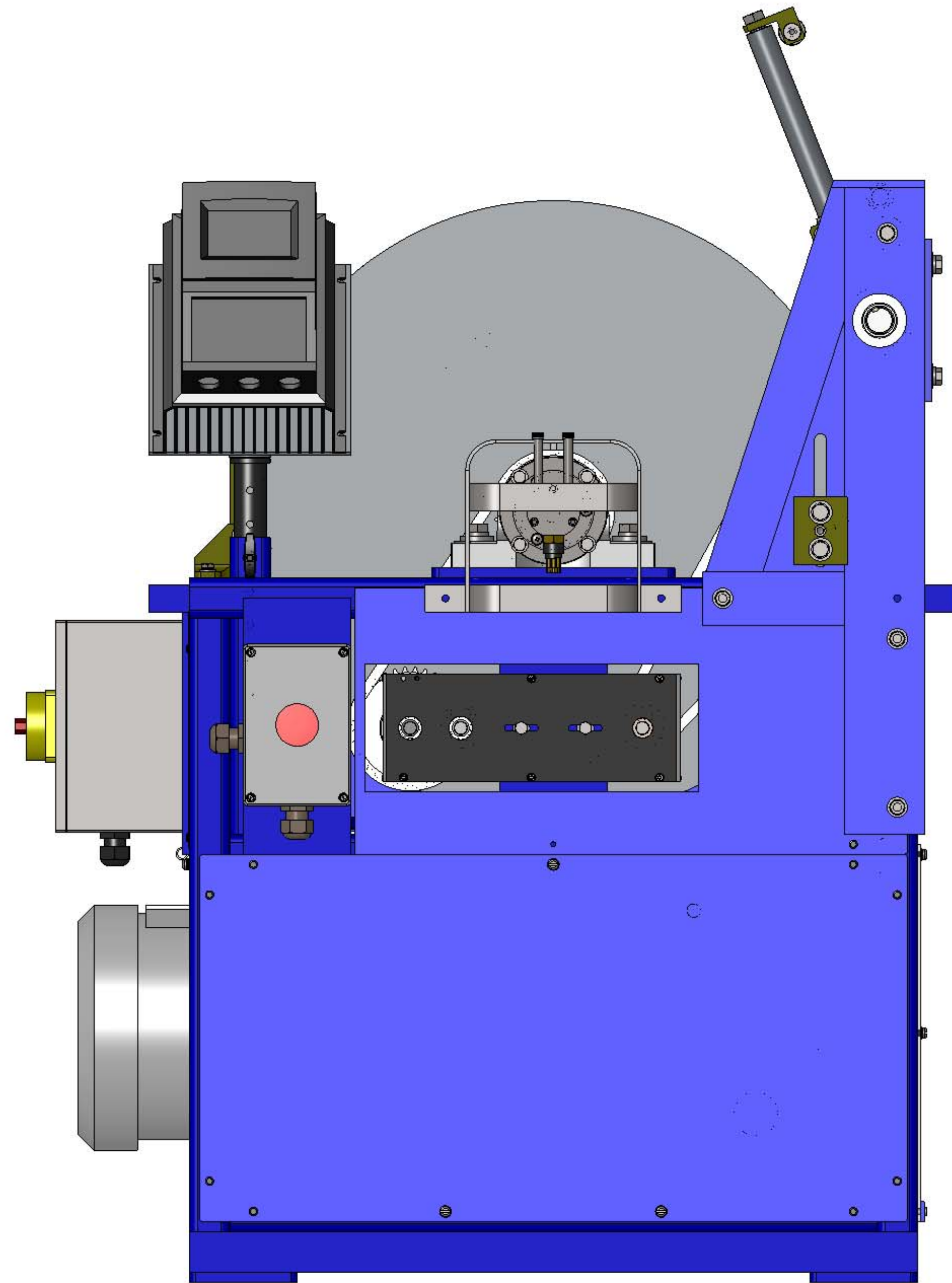
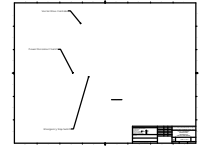


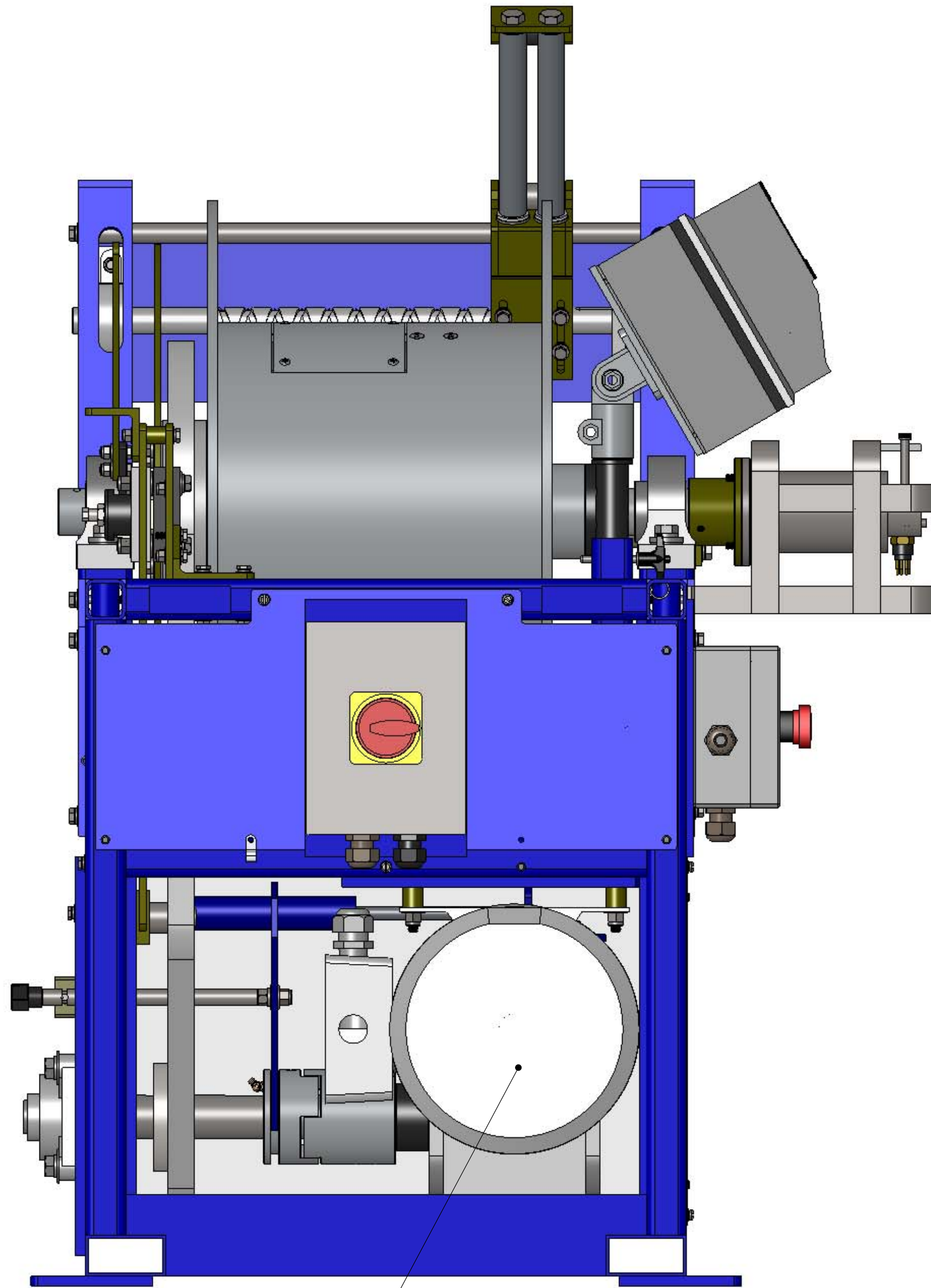
UNLESS OTHERWISE SPECIFIED:  
 DIMENSIONS ARE IN INCHES  
 TOLERANCES:  
 FRACTIONAL: ± 1/16  
 ANGULAR: MACH ± 1° BEND ± 1°  
 TWO PLACE DECIMAL: ± .01  
 THREE PLACE DECIMAL: ± .001

MATERIAL:  
 FINISH:  
 DO NOT SCALE DRAWING

	NAME	DATE
DRAWN	Donald Lo	Oct 04, 2013
CHECKED		
ENG APPR.		
MFG APPR.		
Q.A.		
COMMENTS:		

A.G.O Environmental Electronics Victoria, B.C. Canada, V9A 3L4		
TITLE: CSW 7 ASSEMBLY (LEFT VIEW) (GSE RENTAL) (3HP VECTOR DRIVE)		
SIZE	DWG. NO.	REV
<b>C</b>	CSW7-110A	
SCALE: 1:1		SHEET 3 OF 6





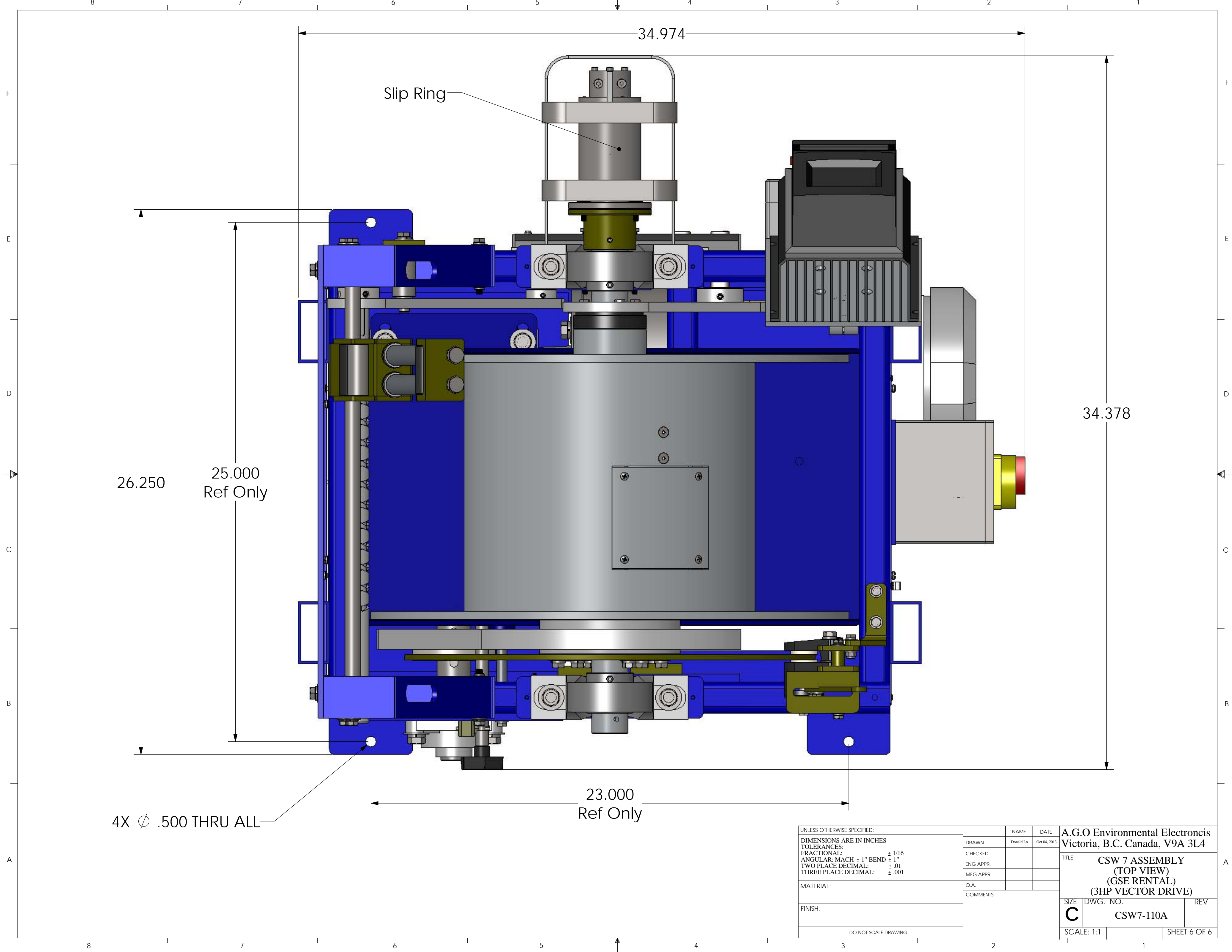
3HP STAINLESS STEEL AC MOTOR

UNLESS OTHERWISE SPECIFIED:	
DIMENSIONS ARE IN INCHES	
TOLERANCES:	
FRACTIONAL:	± 1/16
ANGULAR: MACH ± 1° BEND	± 1°
TWO PLACE DECIMAL:	± .01
THREE PLACE DECIMAL:	± .001
MATERIAL:	
FINISH:	
DO NOT SCALE DRAWING	

NAME	DATE
DRAWN Donald Lo	Oct 04, 2013
CHECKED	
ENG APPR.	
MFG APPR.	
Q.A.	
COMMENTS:	

A.G.O Environmental Electronics Victoria, B.C. Canada, V9A 3L4		
TITLE: CSW 7 ASSEMBLY (BACK VIEW) (GSE RENTAL) (3HP VECTOR DRIVE)		
SIZE	DWG. NO.	REV
<b>C</b>	CSW7-110A	
SCALE: 1:1	SHEET 5 OF 6	





Slip Ring

26.250

25.000  
Ref Only

34.974

34.378

23.000  
Ref Only

4X Ø .500 THRU ALL

UNLESS OTHERWISE SPECIFIED:	
DIMENSIONS ARE IN INCHES	
TOLERANCES:	
FRACTIONAL:	± 1/16
ANGULAR:	MACH ± 1° BEND ± 1°
TWO PLACE DECIMAL:	± .01
THREE PLACE DECIMAL:	± .001
MATERIAL:	
FINISH:	
DO NOT SCALE DRAWING	

NAME	DATE
Donald Lo	Oct 04, 2013
CHECKED	
ENG APPR.	
MFG APPR.	
Q.A.	
COMMENTS:	

A.G.O Environmental Electronics Victoria, B.C. Canada, V9A 3L4		
TITLE: CSW 7 ASSEMBLY (TOP VIEW) (GSE RENTAL) (3HP VECTOR DRIVE)		
SIZE	DWG. NO.	REV
<b>C</b>	CSW7-110A	
SCALE: 1:1	SHEET 6 OF 6	