

IMAGENEX MODEL 878 SIDESCAN SONAR

APPLICATIONS:

- Underwater Archaeology
- Sunken Timber Recovery
- Search & Recovery
- Surveying
- Law Enforcement Work
- Scientific Research
- Environmental Survey

FEATURES:

- Simultaneous dual frequency (or single)
- High resolution 1000 data points per side
- 1000 m depth rating
- Up to 600 m (~2000') total coverage
- 23 m (75') tow cable included
- LAN compatible
- Built-in internal GPS receiver
- Built-in track plotter
- Built-in orientation module

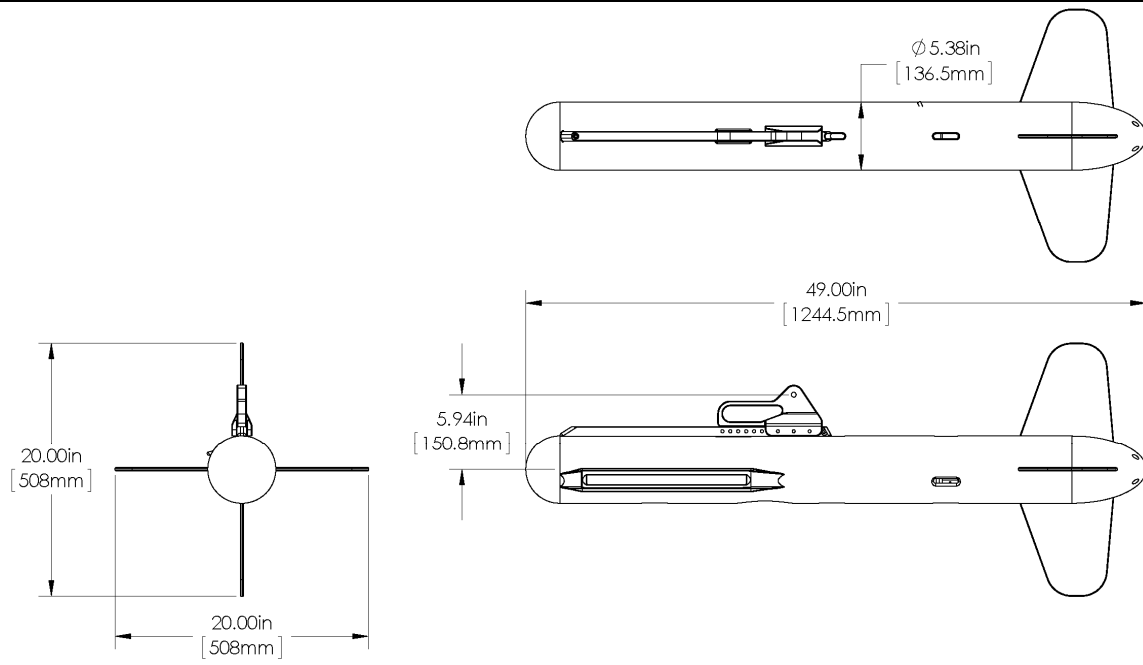
The Imagenex Model 878 Sidescan Sonar is the next generation in high resolution sidescan sonar. The unit runs two simultaneous sonars on each side at different sound wavelengths, providing enhanced image clarity. To further enhance these unique sonar capabilities, the towfish is equipped with an optional echo sounder and a built-in orientation module as well as depth and temperature sensors.

The Model 878 system comes as a completely integrated package including towfish, cable, GPS enabled surface interface box, and Microsoft Windows™ based real time operation and data playback software, thus providing a complete, easy to use, but highly advanced acoustic bottom visualization system.



Patent Pending

UNDERWATER HARDWARE SPECIFICATIONS:	
SIDECAN:	
FREQUENCIES	260 kHz / 540 kHz (Single frequency available)
TRANSDUCERS	Two transducers per side, with adjustable depression angle from -10° to -30° in 5° steps (One xdcr/side for single freq.)
TRANSDUCER BEAM WIDTH	260 kHz: 1° x 60° 540 kHz: 0.5° x 60°
RANGE RESOLUTION	Range scale ÷ 1000
ECHO SOUNDER: (optional)	
FREQUENCY	200 kHz
TRANSDUCER	Conical
TRANSDUCER BEAM WIDTH	10°
RANGE RESOLUTION	Range scale ÷ 1000
ORIENTATION MODULE (accuracies): (optional)	
PITCH & ROLL	± 0.1° typical
HEADING	± 1.0° typical
DEPTH	± 0.5% of FS typical
TEMPERATURE	± 0.5°C typical
MAX. OPERATING DEPTH	1000 m (~3280')
MAX. CABLE LENGTH	1000 m using built-in Ethernet extender
INTERFACE	Up to 2.3 Mbps Ethernet (10 BASE-T) using TCP/IP
CONNECTOR	Wet mateable (Subconn MCIL4M)
POWER SUPPLY	130 VDC at less than 15 Watts, supplied from Surface Interface Box
DIMENSIONS	See drawing
WEIGHT:	
In Air	~26 kg (~57 lbs)
In Water	~12 kg (~25 lbs)
MATERIALS	6061-T6 Aluminum, PVC, 300 Series Stainless Steel, Polyurethane, Polycarbonate & Epoxy
FINISH	Hard anodized (internals) & polyester powder



SOFTWARE SPECIFICATIONS:	SS878.exe
WINDOWS™ OPERATING SYSTEM	Windows™ XP, Vista, 7, 8
ZOOM MODES	1x, 2x, and 4x dynamically moveable
RANGE SCALES	
SIDESCAN:	
260 kHz:	10 m, 20 m, 30 m, 40 m, 50 m, 60 m, 80 m, 100 m, 120 m, 150 m, 200 m, 250 m, 300 m
540 kHz:	10 m, 20 m, 30 m, 40 m, 50 m, 60 m, 80 m, 100 m, 120 m
ECHO SOUNDER:	10 m, 20 m, 30 m, 40 m, 50 m, 60 m, 80 m, 100 m, 120 m, 150 m, 200 m, 250 m, 300 m
FILE FORMAT	(filename).878
GPS INPUT (4800, N, 8, 1) NMEA 0183 FORMATS:	GLL and VTG; GGA and VTG; RMC
RECOMMENDED MINIMUM COMPUTER REQUIREMENTS:	Intel Core i3 @ 2.00 GHz 4 GB RAM 100 GB Hard Disk 1920 x 1080, True colour graphics

ORDERING INFORMATION:		
Dual Frequency UNIT (260 kHz / 540 kHz) w / 23 m tow cable	Standard	878-000-250
Single Frequency UNIT (260 kHz) w / 23 m tow cable	Standard	878-000-350
Surface Interface Box	Standard	878-000-001
60 m (200') Sidescan tow cable	Option	-021
100 m (330') Sidescan tow cable	Option	-033
540 kHz*	Option	-045
Echo Sounder	Option	-046
Orientation Module	Option	-047

*Note: 540 kHz Option is for Single Frequency UNIT only

Product and company names listed are trademarks or trade names of their respective companies.