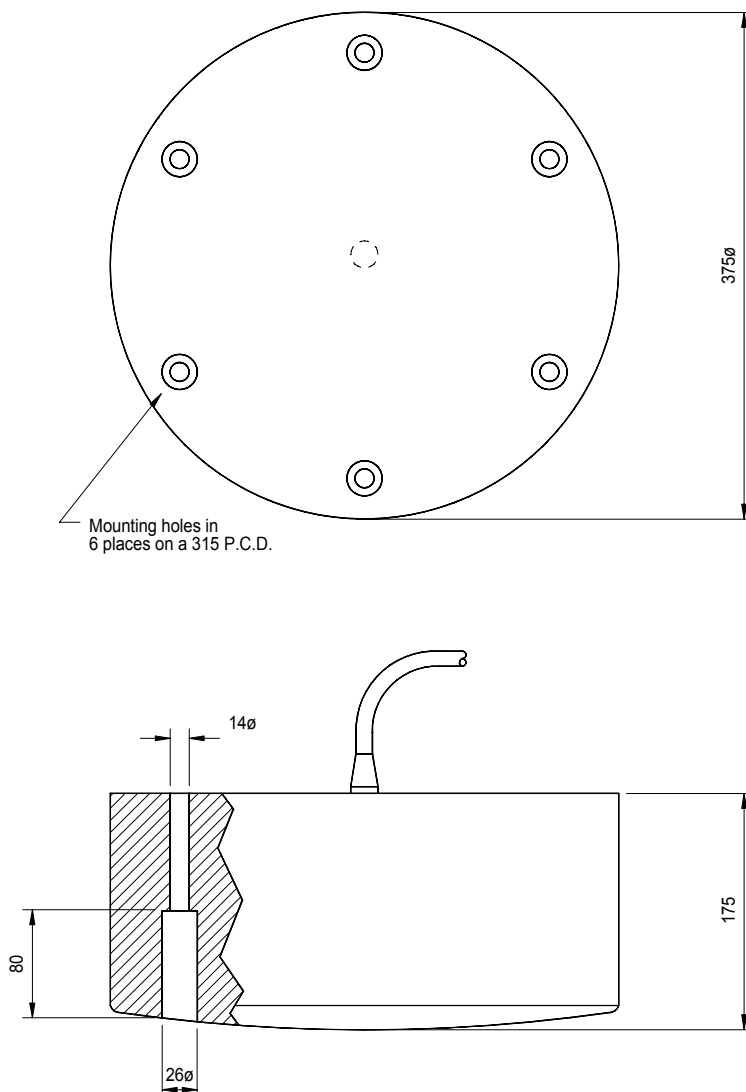


## MODEL T198

## Single Beam Transducers

- 12 KHZ SINGLE BEAM TRANSDUCER
- NARROW BEAM
- LOW SIDE LOBE
- LONG RANGE ECHO SOUNDING
- TOWED BODY CAPABILITY
- NEPCAST® PU MOULDED HOUSING



All dimensions in mm

The T198 transducer is a high power, long range directional array operating at 12 kHz.

Originally designed for over-side installation, the T198 can also be hull mounted.

Other applications include deep water echo sounding, using a towed body down to depths of 500 metres.

The nodal mounted elements are extremely robust, capable of withstanding high slamming forces, highly efficient and provide an excellent front to back ratio.

An external transformer can be supplied to accommodate any impedance matching.

The transducer housing is based upon the NEPTCAST® system, producing a "one piece" all moulded, robust, lightweight and corrosion free transducer body.

Technical Specification	
Resonant Frequency	12 kHz
Beam Angle @ -3dB	20 Degrees
Side Lobe Level	> -20dB
Front / Back Ratio	> -25dB
Transmit Sensitivity	166 dB re uPa/V at 1m
Receive Sensitivity	-169 dB re V/uPa
Bandwidth -3dB	1.5 kHz
Impedance	100 Ohms
Transducer impedance can be adjusted to suit customers specification	
Input Power Max	5000 Watts pulsed
Operating Depth	500 Metres
Cable Length	10 Metres Standard (Additional lengths supplied to order)
Cable Type	Polyurethane Ø12mm 2 Core Screened
Storage Temperature	-40 to +80 °C
Operating Temperature	-5 to +70 °C
Ordering Information	
T198, <i>cable length</i>	

