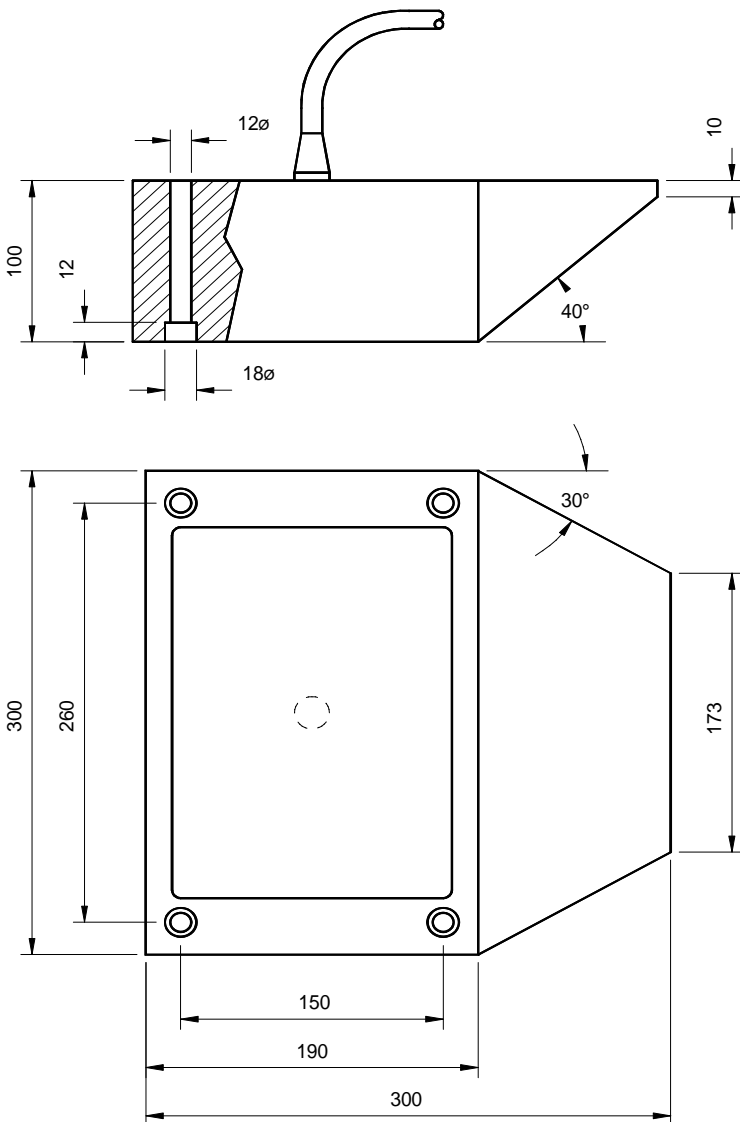
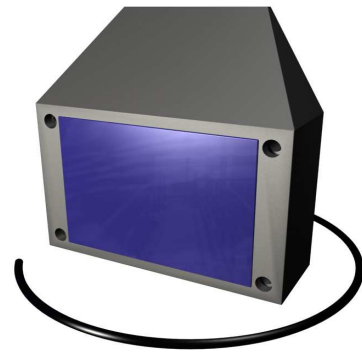


- DUAL FREQUENCY
- 30 LF / HF COMBINATIONS
- FISHING : NAVIGATION : SURVEYING
- HULL MOUNTING
- LOW SIDE-LOBES
- ROBUST NYLON HOUSING



All dimensions in mm

The 76 SERIES are high performance, dual frequency transducers combining both HIGH and LOW frequency sections in a single unit.

The ability to specify any combination of frequencies in the same basic unit, provides the echo sounder manufacturer and hydrographer with a versatile sounding system combining high resolution with good range performance.

The well defined beam pattern combined with the dual frequency option makes the 76 SERIES an excellent choice when measuring sediment layers.

The high impact strength nylon body provides a mechanically robust and corrosion free transducer.

This product is stocked by our world-wide distributor

**GSE Rentals Ltd, Aberdeen**  
 Tel: +44 (0) 1224 771247  
 Fax: +44 (0) 1224 723116  
 E Mail: [info@gserentals.co.uk](mailto:info@gserentals.co.uk)

# MODEL 76 SERIES

## Dual Frequency Transducers

### Technical Specification

Low Frequency Section							
Frequency Options	24	28	30	33	38	50	kHz
Beam Angle (-3dB)	23	19	18	16.5	14	11	Degrees Conical
Transmit Sensitivity	167	168	168	167	166	171	dB re uPa/V @ 1m
Receive Sensitivity	-164	-166	-167	-168	-169	-178	dB re V/uPa
Input Power	1000	1000	1000	1000	1000	1000	Watts
Bandwidth	2.8	3.5	3.0	3.5	3.5	5.0	kHz
Nominal Impedance	75	75	100	100	100	75	Ohms

High Frequency Section							
Frequency Options	160	200	210	300	600	-	kHz
Beam Angle (-3dB)	12	8	7.5	7	5	-	Degrees Conical
Transmit Sensitivity	175	175	174	172	174	-	dB re uPa/V @ 1m
Receive Sensitivity	-187	-186	-187	-174	-204	-	dB re V/uPa
Input Power	300	300	300	300	300	-	Watts
Bandwidth	14	20	28	28	57	-	kHz
Nominal Impedance	65	65	75	75	75	-	Ohms

Transducer impedance can be adjusted to suit customers specification

Cable Length	10 Metres Standard (Additional lengths supplied to order)
Cable Type	Polyurethane Ø12mm 4 Core Screened
Storage Temperature	-40 to +80 °C
Operating Temperature	-5 to +70 °C

Data illustrated is taken from actual in-water measurements