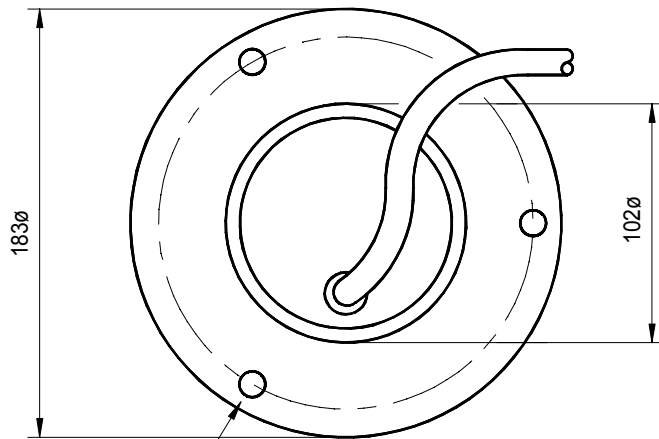


## MODEL 395 SERIES

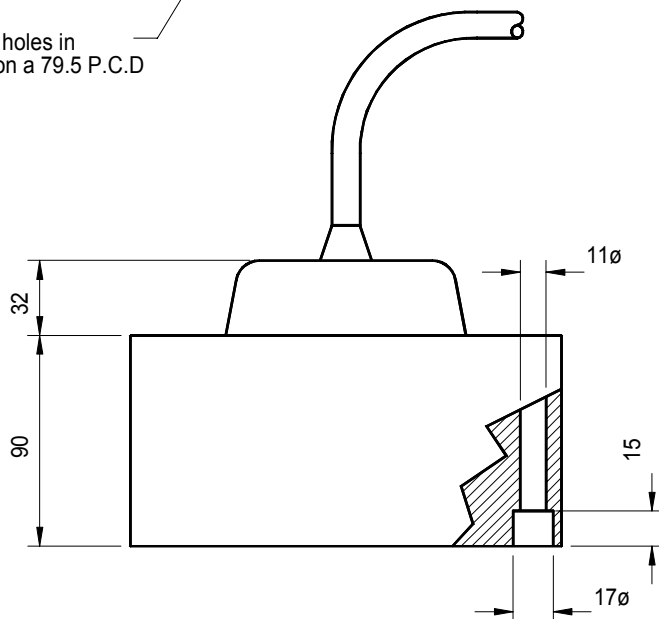
## Single Beam Transducers

- ATLAS SW 6028 EQUIVALENT
- 6 FREQUENCY OPTIONS
- GROUND DISCRIMINATION
- FISHING : NAVIGATION : SURVEYING
- HULL MOUNTING
- NEPTCAST® PU MOULDED HOUSING

Available in a choice of six different frequencies, the 395 SERIES transducer is intended for vertical depth sounding applications.



Mounting holes in 3 places on a 79.5 P.C.D



All dimensions in mm

The concentric element arrangement generates a conical beam pattern with low side lobes.

The frequencies selected for the 395 SERIES are compatible with a wide range of echo-sounder types, in particular the 33 kHz version is an exact equivalent for the Atlas SW 6028.

The 395 SERIES are manufactured using the latest NEPTCAST® polyurethane moulding system. This technique provides a mechanically robust, corrosion free transducer, suitable for tank, thru-hull or over-side mounting.

The versatility of the design is further enhanced with the option of a ground discrimination 'GD' feature providing an indication of the sea bed roughness.

This product is stocked by our world-wide distributor

**GSE Rentals Ltd, Aberdeen**

Tel: +44 (0) 1224 771247

Fax: +44 (0) 1224 723116

E Mail: [info@gserentals.co.uk](mailto:info@gserentals.co.uk)

Frequency Options
24 kHz
28 kHz
30 kHz
33 kHz
38 kHz
50 kHz
Compatible with most popular Sounder Types

## Technical Specification

Frequency	24 kHz	28 kHz	30 kHz	33 kHz	38 kHz	50 kHz	kHz
Beam Angle @ -3dB	23	19	18	16.5	14	11	Degrees
Transmit Sensitivity	167	168	168	167	166	171	dB re uPa/V @ 1m
Receive Sensitivity	-164	-166	-167	-168	-169	-178	dB re V/uPa
Input Power	1000	1000	1000	1000	1000	1000	Watts
Bandwidth	2.8	3.5	3.0	3.5	3.5	5.0	kHz
Nominal Impedance	75	75	100	100	100	75	Ohms

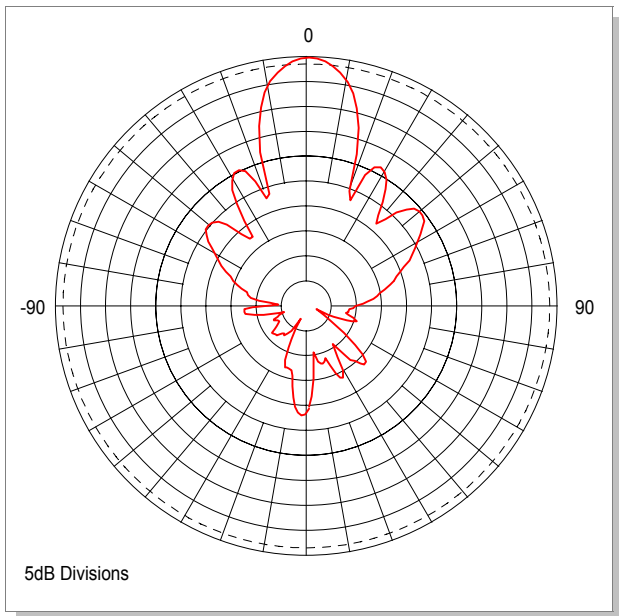
Transducer impedance can be adjusted to suit customers specification

Cable Length	10 Metres Standard (Additional lengths supplied to order)
Cable Type	Polyurethane Ø12mm 2 Core Screened (4 Core Screened with 'GD' Option)
Storage Temperature	-40 to +80 °C
Operating Temperature	-5 to +70 °C

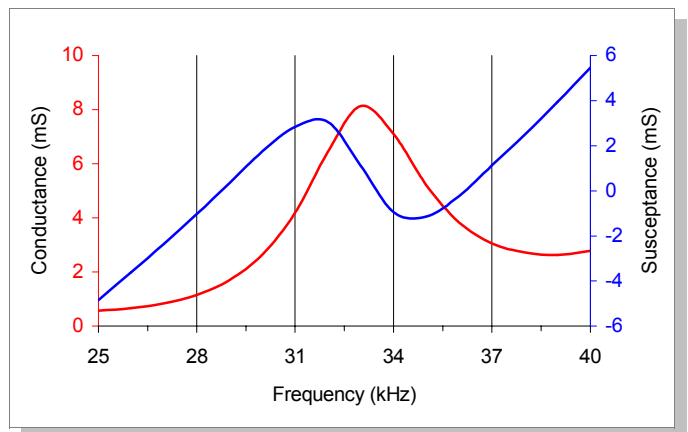
## Ordering Information

395, frequency, with or without 'GD' option, cable length

Beam Pattern 33 kHz



Admittance Plot



Data illustrated is taken from actual in-water measurements