

MODEL 340 SERIES

Dual Frequency Transducers

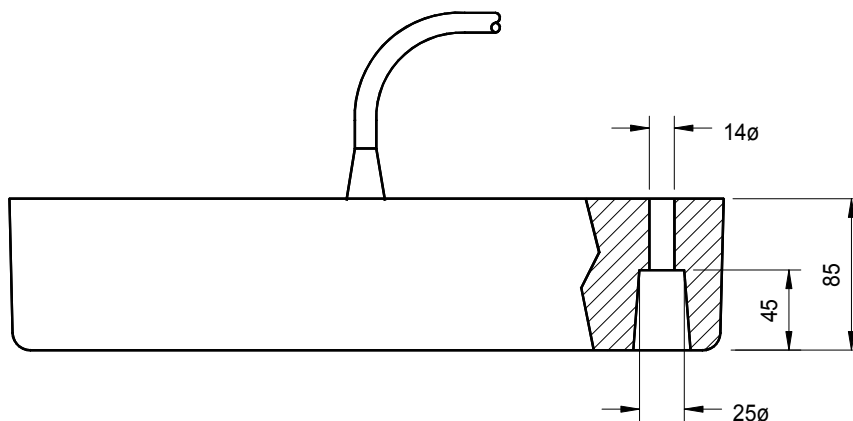
- DUAL FREQUENCY TRANSDUCER
- 30 LF / HF COMBINATIONS
- HULL OR OVER-SIDE MOUNTING
- NEPTCAST® PU MOULDED
- FISHING : NAVIGATION : SURVEY
- LOW COST



The 340 SERIES is a high performance all moulded, dual frequency transducer featuring both HIGH and LOW frequency sections combined in a single unit.

Compatible with a wide range of echo-sounders the piston elements are configured to achieve optimum echo-sounder performance.

The ability to specify a wide combination of frequencies in the same basic unit, provides the echo sounder manufacturer and operator with the flexibility to configure a system and beam pattern to match the desired survey requirements of resolution, range and silt penetration.



The NEPTCAST® polyurethane housing provides a mechanically robust, corrosion free transducer, suitable for hull or over-side mounting.

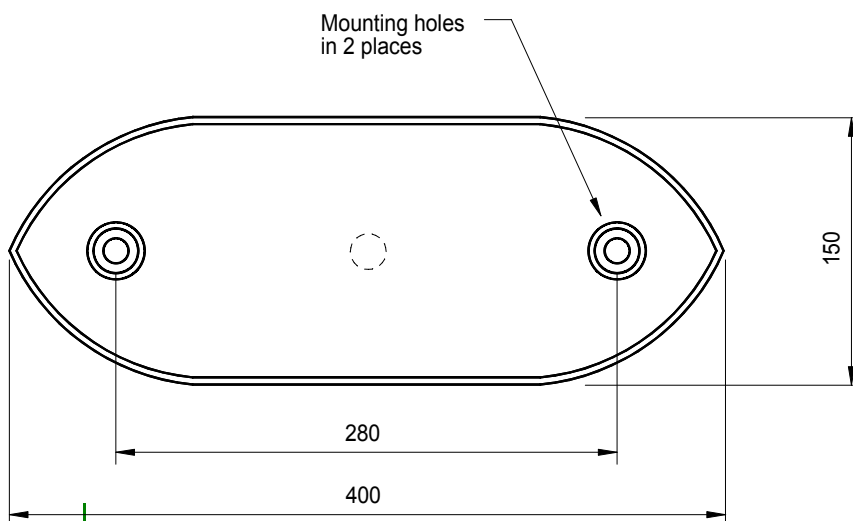
This product is stocked by our world-wide distributor

GSE Rentals Ltd, Aberdeen

Tel: +44 (0) 1224 771247

Fax: +44 (0) 1224 723116

E Mail: info@gserentals.co.uk



All dimensions in mm

MODEL 340 SERIES

Dual Frequency Transducers

Technical Specification

Low Frequency Section

Frequency	24 kHz	28 kHz	30 kHz	33 kHz	38 kHz	50 kHz	kHz
Beam Angle @ -3dB	23 x 34	19 x 30	18 x 27	16.5 x 25	14 x 22	16 x 16	Degrees
Transmit Sensitivity	166	167	167	166	165	166	dB re uPa/V @ 1m
Receive Sensitivity	-164	-166	-167	-168	-169	-178	dB re V/uPa
Input Power	900	900	900	900	900	900	Watts Pulsed
Bandwidth	2.8	3.5	3.0	3.5	3.5	5.0	kHz
Nominal Impedance	75	75	100	100	100	75	Ohms

High Frequency Section

Frequency	160 kHz	200 kHz	210 kHz	300 kHz	600 kHz	-	kHz
Beam Angle @ -3dB	12	8	7.5	7	5	-	Degrees
Transmit Sensitivity	175	175	174	172	174	-	dB re uPa/V @ 1m
Receive Sensitivity	-187	-186	-187	-174	-204	-	dB re V/uPa
Input Power	300	300	300	300	300	-	Watts Pulsed
Bandwidth	14	20	28	28	57	-	kHz
Nominal Impedance	65	65	75	75	75	-	Ohms

Transducer impedance can be adjusted to suit customers specification

Cable Length	10 Metres Standard (Additional lengths supplied to order)
Cable Type	Polyurethane Ø12mm 4 Core Screened
Storage Temperature	-40 to +80 °C
Operating Temperature	-5 to +70 °C

Ordering Information

340, low frequency, high frequency, cable length