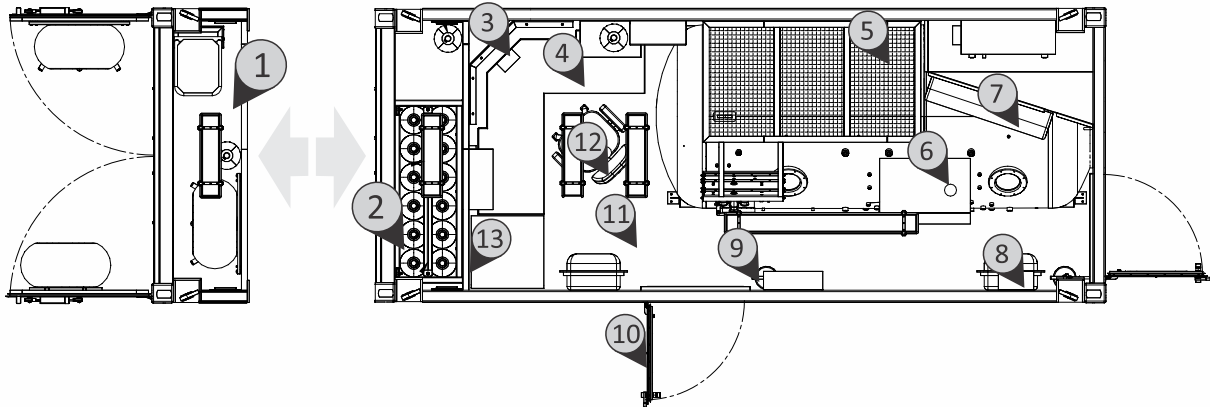


### SL 3.1 DCON, 1500 Chamber & Dive Control Container

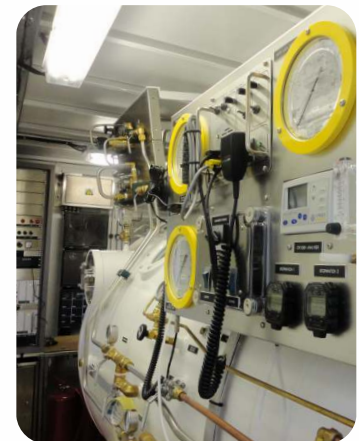
**Description:**

The SL 3.1 layout features a compact design by incorporating a 1500 deck decompression chamber and a dive control with a partitioned area into a 20 ft container. The partitioned space gives the client the option of

having either a gas bank or an umbilical storage with a stand-by diver seat within the area. The dive control could be fitted out for air, nitrox or mixed gas diving. The dive control / DDC area is air conditioned.



No:	Description:	No:	Description:
1.	Option 1: Umbilical and Diver Area	7.	Evaporator
2.	Option 2: Gas Storage Area	8.	SCBA
3.	Diver Control Panel	9.	Fire Extinguisher
4.	Table and Drawer below with Bookshelf above	10.	Personnel Access Door
5.	Overhead Storage	11.	Dive & Chamber Area
6.	Smoke Sensor	12.	Chair
		13.	19" Equipment Rack



**Order Detail:**

SL 3.1 DCON (A) 1500 Chamber & Air Dive Control Container & Umbilical	D-CDS-386
SL 3.1 DCON (N)1500 Chamber & Nitrox Dive Control Container & Umbilical	D-CDS-386-01
SL 3.1 DCON (M) 1500 Chamber & Mixed Gas Dive Control Container & Umbilical	D-CDS-386-02
SL3.1 DCON (A) 1500 Chamber & Air Dive Control Container & Gas Bank	D-CDS-387
SL3.1 DCON (N) 1500 Chamber & Nitrox Dive Control Container & Gas Bank	D-CDS-387-01
SL3.1 DCON (M) 1500 Chamber & Mixed Gas Dive Control Container & Gas Bank	D-CDS-388-02

\* See further detailed Options and Spares are available