

ABS 2 CON Compact System

Description:

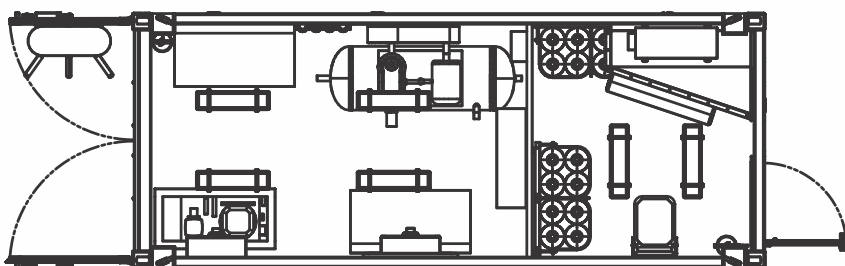
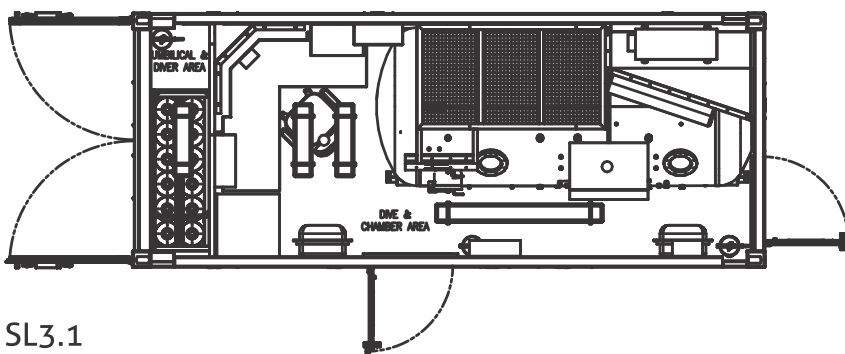
The ABS 2 CON Compact is a two container air dive system designed to be compact. HP air storage banks are integrated into the containers for reduced deck space, mobilisation time and better weather protection.

The ABS 2 CON comprises the following:

- -SL3.1- Bank- 1500DDC / Air Dive Control Container with 12 Cyl Air Bank
- -SL3.6 Machinery and Air Bank container incl 1 x LP Comp, 2 x HP Comp, 1 x HPU and 24 Cyl Air Bank
- -IMCA, OGP & Exxon Mobil Compliant



Illustration:



Order Detail:

ABS 2 CON Compact	D-CDS-399
ABS 2 Container DCON-MCON	D-CDS-400