

Classed Containerised Systems

Through discussion with our clients we have developed a range of cost effective, reliable and compliant, standard ABS Classed surface diving systems

to suit the varied industry requirements. The systems can be supplied with gas banks, LARS units and ancillary equipment.

ABS 2 CON System

Description:

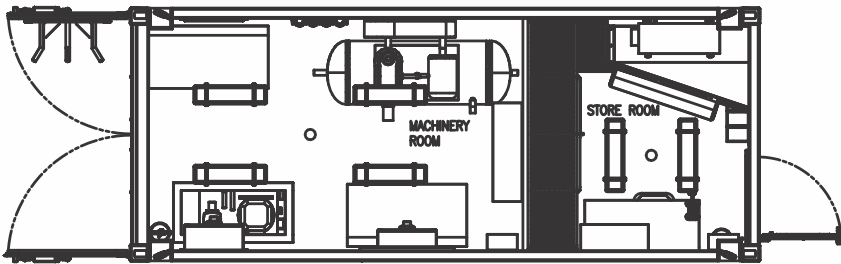
The ABS 2 CON is a two container air dive system. A workshop and storage space as well as umbilical storage and standby diver's seat are integrated into the containers for reduced deck space, mobilisation time and better weather protection.

ABS 2 CON System comprises the following:

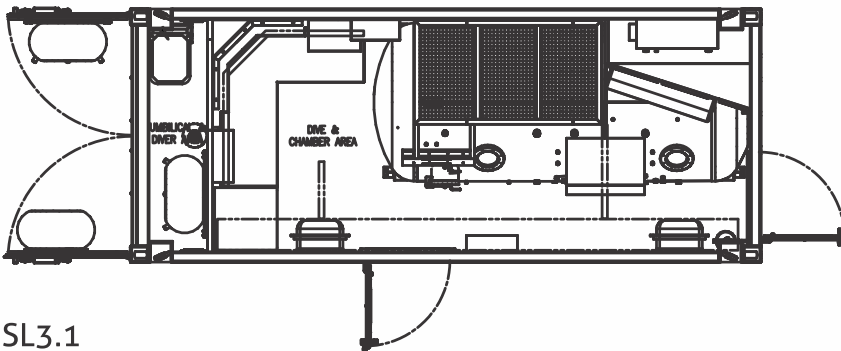
- -SL3.1 –Umb 1500DDC / Air Dive Control Container with Umbilical Storage
- -SL3.6 Machinery and Air Bank container incl 1 x LP Comp, 1 x HP Comp, 1 x HPU and Workshop Space
- -IMCA, OGP & Exxon Mobil Compliant



Illustration:



SL3.6 LP&2HP



SL3.1